

35th
FRIENDS OF
ACADIA
ANNUAL BENEFIT


Friends of Acadia
35th Annual Benefit

Cover Farm

46 Cover Farm Road, Hulls Cove, Maine

Saturday, August 10, 2024

Presented by Chilton Trust



Friends of Acadia 35th Annual Benefit

Saturday, August 10, 2024

Cover Farm
Hulls Cove, Maine

6:00 p.m. Cocktail Reception & Silent Auction

7:30 p.m. Dinner & Live Auction with Lydia Fenet

9:00 p.m. Dancing with *The Sultans of Swing*

ABSENTEE BIDDING

Now through August 9

AUCTION CATALOG

friendsofacadia.org/benefit



MISSION

Friends of Acadia preserves, protects, and promotes stewardship of the outstanding natural beauty, ecological vitality, and distinctive cultural resources of Acadia National Park and surrounding communities for the inspiration and enjoyment of current and future generations.

Opposite page: The Milky Way rises above Monument Cove, photo by Ashley L. Conti. Back cover: Evening light glows behind the Bubbles and two kayakers in Jordan Pond, photo by Will Newton.

A night sky with the Milky Way galaxy visible, over a lake and trees. The Milky Way is a bright, yellowish-white band of stars and dust that stretches across the sky from the top left to the bottom right. The background is a dark blue night sky filled with stars. In the foreground, there are dark silhouettes of trees on the left and a rocky shoreline at the bottom. The overall scene is a serene night landscape.

Table of Contents

WELCOME 2

BENEFIT COMMITTEE 3

BOARD OF DIRECTORS AND STAFF 3

BENEFIT PATRONS 4

LIVE AUCTION ITEMS 5

SILENT AUCTION ITEMS 12

ABSENTEE BID INSTRUCTIONS 26

AUCTION TERMS AND CONDITIONS 26

BUSINESS PARTNERS 28

SPECIAL THANKS 29

WELCOME

Dear Friends,

What a remarkable year it has been! This year has been groundbreaking in many ways, with changes, challenges, and successes that have made our organization and the park stronger and more resilient than ever before. We have so much to celebrate at the 35th Annual Benefit & Auction!

On Saturday, August 10, we will gather under the tent at a new location: the historic Cover Farm in Hulls Cove. This will be the fourth different location where we have hosted the benefit over the past 35 years. The Benefit had humble beginnings at the Neighborhood House, enjoyed a few years at the Wildwood Stables, and many years at the Asticou Inn. This year marks another change, and we couldn't be more excited.

While the location has changed, much of what you have come to expect from the Benefit will remain the same. We will gather to share cocktails and hors d'oeuvres, including oysters, under the silent auction tent before moving on to a wonderful dinner catered by Bar Harbor Catering Company. The evening will continue with a live auction and Paddle Raise with Lydia Fenet, and dancing with The Sultans of Swing band. It will be a joyous occasion where we will celebrate our collective support of Acadia.

This year's Paddle Raise aims to start replacing the heavy equipment that the park uses for repairing and restoring Acadia's trails and carriage roads and for responding to major weather events like the severe storms the coast of Maine experienced this past winter. Much of the current equipment is more than 30 years old and overdue for replacement.

You'll find more information about the Paddle Raise and the wonderful auction items in the pages of this catalog. We hope you enjoy it. We also encourage you to take note of the local businesses and corporate sponsors who are helping to underwrite the Benefit, as well as the volunteers and patrons who made this event possible.

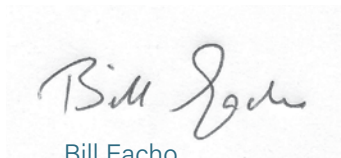
A special thank you goes to our Benefit Committee, led by event co-chairs Anne Green, Jill Hinckley, and Lydia Kimball, alongside Friends of Acadia's Special Events Coordinator Jennifer Byer. Planning an event of this scale, especially in a new location, is not easy. We owe them tremendous gratitude. We are also grateful to Chilton Trust, our presenting sponsor for the 11th year in a row.

Thank you for being part of this event, and for all that you do for Acadia National Park. We look forward to seeing you under the big tent on August 10th.

With appreciation,



Eric Stiles
President and CEO
Friends of Acadia



Bill Eacho
Board Chair
Friends of Acadia

FRIENDS OF ACADIA BENEFIT COMMITTEE

BENEFIT CO-CHAIRS

Anne Green
Jill Hinckley
Lydia Kimball

Linda Douglass
Lesley Draper
Aubin Dupree
Donna Eacho
Ann Fenno
Susan Ferrante-Collier

Wilhelmina Kipp
Bayard Kuensell
Elizabeth Lake
Sydie Lansing
Story Litchfield
Jada Loutit
Elizabeth Martinez
Anna Maynard
Suzanne McCullagh
Linda McGillicuddy
Charles Merriman
Heather Mitchell
Mary Morse
Sunne Savage Neuman
Beth Nixon
Jenny Petschek
Lili Pew
Laura Pierce
Vassar Pierce
Frances Milliken Platt
Hadley Powell
Emilie Price
Katrina Rank
Jennifer Richardson
Deborah Schmidt Robinson

Diana Rowan Rockefeller
Martie Samek
Liz Samek-O'Malley
Meg Samek-Smith
Laura Scott
Elizabeth Seherr-Thoss
Diana Davis Spencer
Martha Stewart
Maureen Stewart
Christine Strawbridge
Nonie Sullivan
Charlotte Thibodeau
Courtney Urfer Thompson
Patricia Toogood
Julia Merck Utsch
Christiaan van Heerden
Melissa Waud
Ariane Wellin
Kim Wentworth
Lynne Wheat
Lynne Williams
Sydney Winthrop
Diana Wister
Effie Wister
Anna Woodward

AUCTION CHAIR

Gail Clark

Leslie Fogg
Ellie Ford
Leandra Fremont-Smith
Christina Godfrey
Linda Levy Goldberg
Carol Grant
Deecy Gray
Emily Griset
Anna Hargraves Hall
Diana Hambleton
Laura Hamilton
Tim Harrington
Louise Hartwell
Anne Hopkins
Heather Jervis
Kristin Johnson
Lillie Johnson
Laura Clark Katona
Maggie Kelley

COMMITTEE

Charlotte Aukamp
Bob Bell
Allison Bourke
Sharon Bradley
Antionette Brewster
Ellie Buchanan
Charlotte Chilton
Hannah Clark
Katie Clark
Karen Collins
Whitney Kroeger Connor
Malinda Crain
Kate Davis
Sydney Davis
Melinda Dennis
Alexandra Doorly

FRIENDS OF ACADIA BOARD OF DIRECTORS

Bill Eacho, Chair
Dave Edson, Vice Chair
Rob Leary, Treasurer
Story Litchfield, Secretary

Mark Amstutz
Julie Banzhaf-Stone
Justin Bennett
Jacqueline Brooks
Hannah Sistare Clark
Sam Coplton
Andrew Davis

Lesley Draper
Elsie Flemings
Todd Graham
Anne Green
Margaret Jeffery
David Katona
Jack Kelley

Avery Lamb
Cora Olgay
Laura Pierce
Edward L. Samek
Curtis Simard
Christiaan van Heerden
Liz Williams

FRIENDS OF ACADIA OFFICE STAFF

Hannah Adams
John Bench
Shannon Bryan
Nikki Burtis
Jennifer Byer
Lisa Horsch Clark

Stephanie Clement
Sarah Curts
Lauren Gibson
Stephanie Ley
Devin Lueddeke
Jodi Michael

Amanda Mogridge
Becca Stanley
Paige Steele
Eric Stiles
Julia Walker Thomas
Veronica Torres

Lynn Verrill
JoAnne Wood
Eliza Worrick

CONTRIBUTORS

2024 BENEFIT PATRONS

Our greatest appreciation to the Patrons of the Friends of Acadia Benefit. Their support makes our special event possible.

BENEFACTORS' CIRCLE

Charles Butt
Evon and Thomas Cooper
Kate and Andrew Davis
Edith Dixon *
Lesley Draper and Bob Stolar
Elizabeth Johnson
Nora and Robert Leary
Anna Maynard
Wendy O'Neill
Lalage and Steven Rales
Maureen and Bill Stewart
The Jackson Laboratory
Genie and Will Thorndike
Christopher Toomey
Julia Merck Utsch and Hans Utsch
Melissa and Reeve Waud
Kim and Finn Wentworth
Lynne Wheat and Thomas Peterffy
Shelby White
Diana Wister

BENEFIT SPONSORS

Catherine Baker-Pitts and Will Pitts
Ruth Colket
Sunny Dupree
Donna and Bill Eacho
Leslie and Joseph Fogg
Amy and Phil Geier
Anne and Jim Green
Laura and Bernard Hamilton
Margaret and Clay Hamner
Sydie Lansing
Elizabeth and Arthur Martinez
Tracy and Joe Merrill
Susan and Stephen Paneyko
Diana and Roland Reynolds
Martie and Edward Samek
Katie and Tony Schaeffer
Nonie and John Sullivan
Maud & Jeffrey Welles
Wendy Wood

BENEFIT FRIENDS

Almyne and Bill Atterbury
Julie Banzhaf-Stone and Steven Stone
Bob Bell
Allison and Avery Bourke
Gail and Ham Clark
Malinda Crain
Gale and Shelby Davis
Hornor Davis and William Hague
Sydney Davis
Pam and Doug Diehl
Ann and Brooks Fenno
Rena and Spencer Fulweiler
Mark Gauthier and Arthur Keller
Nora Gibson and William Hudson
Mazzie and Charlie Gogolak
Carol and Alexander Grant
Ellie Grassi and Andrew Purcell
Winifred Hentschel & Philip Trackman
Janie and J.B. Harrison
Jill Hinckley and Sandy Spaulding
Richard Jones
Yardly and Scott Jenkins
Cathy and Paul Kalenian
Laura Clark Katona and David Katona
Helen and Colin Keeler
Maggie and Jack Kelley
Lydia Kimball
Patricia King & Norman Ward
Susan and John Klein
Vicki and Norty Knox
Sandy and Mark Kryder
Courtney Lederer & Mark Thierfelder
Anne and Bob Lehmann
Julia Leisenring
Maryanne Mattson & Dave Lewis
Louise and Jim McCabe
Kathleen and Duncan McIntyre
Karen and Bill O'Brien
Catherine Orme
Beverly and Peter Orthwein
Asa & Marnie Phillips

Laura and Vassar Pierce
Anne and Bruce Pomeroy
Kathleen Pontone & Mitch Kolkin
Diana Rowan Rockefeller
Tara & Michael Rockefeller
Mary & Steven Sligar
Martha Stewart
George Strawbridge
Charlotte and David Thibodeau
Sandra Urie and Frank Herron
Ann and John Weston
Christiaan van Heerden
Robin and Paul Vermeylen
Heather and Fifield Whitman
Sydney and Jonathan Winthrop

(List as of July 15, 2024)

* deceased

A special thank you to Lesley Draper and Bob Stolar for hosting the Patron Preview Party on Wednesday, August 7, at their home in Northeast Harbor.



LIVE AUCTION

Auction Sponsored by Interactive Brokers

LIVE AUCTION



LOT #1

4-Day, 3-Night Stay for 4 Guests at Canyon Ranch

Escape to a world of wellness and tranquility with a four-day, three-night stay for four guests at your choice of Canyon Ranch locations: Tucson, AZ; Lenox, MA; or Woodside, CA. This package includes deluxe accommodations and a \$200 per person nightly allowance toward spa, sports, and wellness services. At Canyon Ranch, find guidance to inspire a well-balanced way of life as you collaborate with a team of experts to address your wellness goals and intentions. Indulge in all the resort's features, including unlimited gourmet meals, rejuvenating spa and salon services, and luxurious accommodations set amidst breathtaking surroundings. Whether you choose the Sonoran Desert, the beautiful Berkshires, or the serene Redwood Forest, reconnect with nature, community, and yourself at Canyon Ranch's all-inclusive wellness retreat.



Available on a mutually agreed upon time through August 2025.

ESTIMATED VALUE: \$15,400

DONOR: Leena Jain Utsch

CANYON RANCH®



LOT #2

Come Celebrate the New Asticou Inn with a 3-Night Stay for 4 Guests

Experience a luxurious retreat at the all-new Asticou Inn for three nights with accommodations for four guests in your choice of a cottage or spa suite. This package includes dinner at the new Asticou restaurant, spa treatments at Asticou Spa, a scenic cruise aboard the *Lady A* to lunch at Fish Camp at the Claremont Hotel in Southwest Harbor, and a memorable cocktail cruise around Somes Sound on

the *Lady A*. Enjoy an unforgettable blend of relaxation and adventure at The Asticou, where every detail is designed for your comfort and enjoyment.

ESTIMATED VALUE: \$7,500

DONOR: Tim Harrington



LIVE AUCTION



LOT #3

Luxury Yacht Charter: 7-Day, 6-Night Private Caribbean Charter for up to 8 Guests Aboard *ESCAPADE*

Escape to paradise and experience the ultimate luxury getaway on the stunning *Escapade* yacht. This exclusive seven-day, six-night private charter sailing vacation offers the flexibility to customize and personalize your very own trip of a lifetime!

The spacious accommodations aboard the 55' 2023 Bali 5.4 provide a beautifully designed and tranquil setting with all the comforts of a fine hotel. *Escapade* comfortably sleeps up to eight guests in four bright, elegantly appointed and fully air-conditioned cabins, each with an ensuite bathroom. Enjoy a range of water activities to relax and capture underwater memories. Indulge in gourmet meals prepared by a professional chef. Beverages, fuel, and mooring fees are included and your comfort and safety are ensured by an experienced captain and dedicated crew. Choose from various luxurious Caribbean destinations, including the stunning Virgin Islands, St. Martin/St. Barths, or St. Vincent & the Grenadines, depending on season and availability.

Whether you seek adventure or relaxation, this luxurious yacht charter promises an unparalleled experience.

Available on mutually agreed upon dates for the 2024-2025 season. Everything is included with the exception of the gratuities for the crew.

ESTIMATED VALUE: \$30,000

DONOR: Karen and Bill O'Brien





LOT #4

1-Week Antarctica Expedition for 2 Guests on a Luxury Cruise

Embark on an immersive journey to the ends of the Earth aboard a brand-new, elegant and exclusive ship to experience the pristine beauty and captivating wildlife of Antarctica with expert expedition leaders. You'll create memories to last a lifetime. This once-in-a-lifetime Antarctica expedition promises an unforgettable adventure, combining luxury, exploration, and unparalleled personal service. This unique experience allows you to discover remote places and fascinating cultures while enjoying posh accommodations in a balcony category cabin on any 2024 or 2025 departure. Onboard, the staff will cater to your every need, making you feel like royalty, and the world-class cuisine offers customizable meals and 24-hour room service. Enjoy amenities such as a spa, hot tub, pool, sauna, fitness room, and excellent WiFi. Offboard, partake in Zodiac rides, sea kayaking, and expert-led shore excursions. The inclusive package features regional flights to/from embarkation/disembarkation (where applicable), group transfers, pre-cruise accommodations, all meals and beverages, lecture programs, gratuities, port taxes, one shore excursion per port of call, a branded expedition parka, and use of rubber boots in Polar Regions.

Available Dates: Flexible departures in 2024 and 2025. Early booking is recommended due to limited availability of balcony cabins.

ESTIMATED VALUE: Up to \$90,000

DONOR: Swan Hellenic



LIVE AUCTION

LOT #5

2003 Morgan Plus 8 Special Edition

For the 35th Annual Friends of Acadia Benefit, we present a 35th Anniversary Edition 2003 Morgan Plus 8. One of only 100 produced for the U.S. market, this exceptional British sports car epitomizes the artistry and class synonymous with the Morgan brand. The 35th Anniversary Edition stands as a testament to Morgan's rich heritage, blending classic design elements with modern engineering prowess.

Dressed in a sleek black exterior and complemented by a tan leather interior, this Morgan Plus 8 exudes sophistication and style. Beneath the gorgeous exterior lies a high-performance 4.0L Rover V8 engine paired with a 5-speed manual transmission, with under 5,000 miles on the odometer. This Plus 8 effortlessly merges heritage charm with contemporary performance.

Embark on a journey through time and style with the 2003 Morgan Plus 8, a distinguished tribute to 35 years of automotive excellence, while making Friends of Acadia's 35th Annual Benefit a success!

VIN #: SA9PE240930R12992

Mileage: 4,720

Engine: 4.0L Rover V8

Transmission: 5-speed manual

Exterior: Black/black

Interior: Tan leather

ESTIMATED VALUE: \$70,000

DONOR: Charles Butt



Can We Dig It? Yes, We Can!

LOT #6

Paddle Raise: Heavy Equipment for Acadia's Future

The regular care and maintenance of Acadia National Park demands significant effort and heavy equipment. Carriage roads, unpaved fire roads, vistas, bridges, and campgrounds all necessitate the use of heavy machinery such as dump trucks, excavators, graders, and loaders.

Much of the current fleet of heavy machinery was acquired in the early to mid-90s as a part of the Carriage Road Campaign and is nearing the end of its useful life. This year's Paddle Raise aims to refresh this fleet with new equipment that will last for the next 30 years.

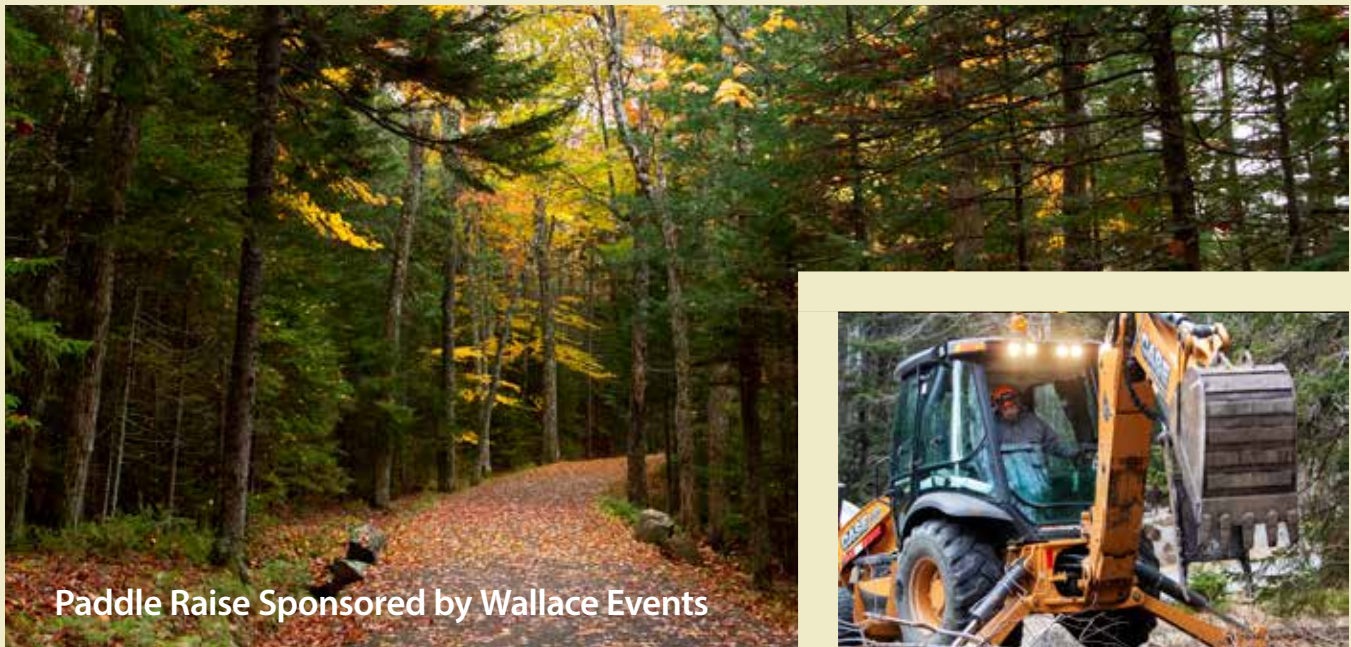
The need for heavy equipment is more critical now than ever before. This equipment is essential not only for the routine maintenance of the park's assets, but also for Acadia's ability to recover from recent storm damage, which has been frequent and unprecedented in scale.

New equipment will enable the park to respond quickly, without delays associated with fixing old equipment or renting equipment and training operators on how to use it. The park's top priority is to replace two dump trucks from 1997 that have seen heavy use over the past 27 years in maintaining the carriage roads and other gravel roads. New dump trucks will be much safer and more efficient.

So, this year, we ask you to dig deep and raise your paddle high for heavy equipment for Acadia.

For additional questions or to contribute in advance, contact Friends of Acadia's development team. For more information on the Annual Benefit, visit friendsofacadia.org/benefit.

VALUE: \$300,000
DONORS: You!



Paddle Raise Sponsored by Wallace Events



SILENT AUCTION

Entertainment Sponsored by Goldman Sachs

SPECIAL OFFERINGS

LOT #101

4-Day, 3-Night Tour of Bhutan for 2 Guests



Embark on a captivating four-day, three-night cultural tour of Bhutan, staying in deluxe accommodations with a dedicated private tour guide. You will catch a glimpse of Mount Everest as you fly into Bhutan, where your journey begins in Paro. Experience the iconic Tiger's Nest monastery, perched dramatically on a cliffside—a must-see sacred site. From Paro, travel to Bhutan's capital, Thimphu, where you will visit the Memorial Chorten, Buddha Point with its giant statue overlooking the valley, the Takin Preserve to see Bhutan's national animal, and the majestic Tashichho Dzong, housing the throne room of His Majesty the King. Extend your stay to further explore this Himalayan paradise and its rich cultural heritage. Please note, this tour excludes flights and a daily Sustainable Development Fee (STD) of \$100 per person per day.

Immerse yourself in the beauty and serenity of Bhutan, known as one of the happiest countries in the world, with this unforgettable cultural journey.

Available on mutually agreed upon dates through August 2025. (Of note: Paro Tshechu Festival is April 8-12, 2025)

ESTIMATED VALUE: \$12,000
DONOR: Ser-Yoed Tour and Travel, Pema Euden and Karma Dema

LOT #102

Tourmaline and Diamond Ring and Earring Set



This jewelry set carries a heartfelt story. It is donated by Jean Andre Rougeot in memory of his late wife, who adored Acadia National Park and was a passionate supporter of Friends of Acadia. Before her passing, she expressed her wish for these pieces to be donated to benefit the park she cherished. Her legacy lives on through her granddaughter, whose middle name, Acadia, honors her grandmother's love for the park. This beautiful set not only embodies elegance but also the deep connection and love for Acadia National Park.

Ring: 18 kt white gold ring set with a rectangular green tourmaline, 4 round diamonds and 2 baguette diamonds weighing approximately 0.16 cts.tw. Earrings: Oval shaped tourmaline weighing approximately 7.9 cts.tw. One 18kt white gold pair of earrings set with 2 round diamonds on each.

APPRAISED VALUE: \$20,000
DONOR: Jean Andre Rougeot

LOT #103

In-House Concert by Gordon Ward and a 3-Course Dinner for up to 10 by Chef Ken Feldmann



Enjoy a memorable evening with a 90-minute private concert by Grammy-balloted songwriter Gordon Thomas Ward, filled with captivating songs and stories, at your home. The event includes a gourmet three-course dinner for up to 10 guests, prepared by Chef Ken Feldman.

Chef Feldman, with over 20 years of experience, is known for his fresh, from-scratch cooking. He currently heads the Terrace Grille at the Bar Harbor Inn. Indulge in this unique musical and culinary experience.

Available on a mutually agreed upon date before August 1, 2025, within one hour of Winter Harbor, Maine.

ESTIMATED VALUE: \$4,000
DONOR: Gordon Ward and Chef Feldmann

LOT #104
**Wooden Boat School
Handmade Canoe**



Take to the waters of rivers and lakes near or far with this stunning handmade wooden canoe. Made at the Wooden Boat School in Brooklin, Maine, it measures 17.5' in length.

ESTIMATED VALUE: \$1,500
DONOR: Lise Williams and Beth Pepper

LOT #105
E-Bike Trek Verve 1 Disc



Verve 1 Disc is an introductory hybrid bike designed for comfort and confidence on recreational rides. It has a lightweight aluminum frame, disc brakes that provide stopping power in any weather, and wide tires for extra stability. This ride is dependable, and full of features that make for comfortable everyday adventures.

ESTIMATED VALUE: \$680
DONOR: Bar Harbor Bicycle Shop

LOT #106
Drone Package



Get a bird's-eye view of your business or home with this 2-3 minute aerial view from a drone. Drone operator Kip Wing will dedicate four hours of on-site filming and photography, post-editing, and a short reel, suitable for advertising or social media. Video and photos would be the property of the winner indefinitely and available via digital link drive.

Available on mutually agreed upon date through August 2025.

ESTIMATED VALUE: \$400
DONOR: Aerial-Aesthetics

A lobster boat floats in front of foggy Porcupine Islands as seen from the Paradise Hill Overlook, photo by Ashley L. Conti.



Media Sponsored by Maine Home + Design

LOT #201

Golf and 2-Night Stay with Lynne Wheat and Thomas Peterffy in Palm Beach, FL



Lynne Wheat and Thomas Peterffy invite you and up to three guests for a round of golf at the esteemed Emerald Dunes Club in West Palm Beach and a round at the Dye Preserve in Jupiter. Additionally, enjoy a private tour of the Norton Museum and an exquisite dinner at Le Bilboquet.

Available on mutually agreed upon date through August 2025.

ESTIMATED VALUE: \$5,000

DONOR: Lynne Wheat and Thomas Peterffy

LOT #202

Cocktail Cruise and Dinner for up to 16 at Islesford Dock



Enjoy an evening of a cocktail cruise aboard the *Lady Clare*, as you sail to Islesford and savor a dinner for up to 16 guests at the Islesford Dock Restaurant. Relish scenic views and refreshing drinks during your cruise, followed by a delectable dinner at one of the most charming spots on the coast. This exclusive experience promises a night of relaxation, fine dining, and stunning maritime beauty. Perfect for a celebration or a memorable gathering with friends and family.

Available on mutually agreed upon date through August 2025.

ESTIMATED VALUE: \$3,000

DONOR: Tim Harrington and Michael Boland

LOT # 203

Orono Brewing Tasting, Tour, and Dinner for up to 6 Guests with Co-Founder Abe Furth



Go behind the scenes to learn the secrets of Orono Brewing's Friend of Acadia IPA and their other celebrated beers and hard seltzers. Visit with co-founder Abe Furth and master brewers to learn about their products and process. The tour and tasting are followed by dinner for all at their 61 Margin Street, Orono location. Included is a one-of-a-kind wood-burned flight tray by The Wild Electric.

Available on mutually agreed upon date through August 2025.

ESTIMATED VALUE: \$750

DONOR: Abe Furth and Orono Brewing

LOT #204

Winter Getaway in Bethel, Maine for 6-10 Guests



Enjoy a one-week stay for 6-10 guests at 22 Broad in Bethel, Maine. This stunning six-bedroom, 1840 federal-

style home is part of the Bethel Historic District and on the National Register of Historic Places.

Take advantage of a variety of ski options, including Sugarloaf, Sunday River, or try cross-country skiing at Carter's XC Ski Center. This getaway promises a blend of historic charm and winter adventure.

Available from December 1, 2024 through November 30, 2025 (blackout dates: December 20, 2024 through January 2, 2025).

ESTIMATED VALUE: \$5,000

DONOR: Deirdre Swords and Michael Boland

LOT #205

West Coast Golf Package Golf and Dinner for 2 at the Monterey Peninsula Country Club



Enjoy a round of golf at one of the top private courses in the country, if not the world. Monterey Peninsula Country Club boasts two courses in Pebble Beach, California offering stunning ocean views that rival other peninsula courses like Pebble Beach and Cypress Point. Join Dr. Ryan Lehr for a round of golf on one of the courses, followed by dinner at the club.

Available through October 2025 on a mutually agreed upon date.

ESTIMATED VALUE: \$2,500

DONOR: Dr. Ryan Lehr and Martha Lehr

LOT #206

Isabella Stewart Gardner Museum Tour, Guided by Brian T. Allen, for 2 Guests



Enjoy a one-year membership to the Isabella Gardner Museum in Boston, offering unlimited access to its stunning art collections and special exhibitions. Enhance one visit with an exclusive guided tour by Brian T. Allen, who will provide insightful commentary and a personalized experience. Choose your preferred date for this unique opportunity to explore the museum with an expert.

ESTIMATED VALUE: \$1,000
DONOR: Isabella Stewart Gardner Museum and Dr. Brian T. Allen

LOT #207

Kelly Clarkson Show Tickets



Enjoy two VIP tickets to a taping of The Kelly Clarkson Show at 30 Rockefeller Center in New York City. Experience the excitement and fun live!

Coordinate with the show's schedule for a mutually agreeable date. Restrictions may apply.

ESTIMATED VALUE: \$350
DONOR: Laura Clark Katona

LOT #208

Wölffer Estate Vineyard Wine Tasting for 2 Guests



Indulge in an exclusive tasting experience for two at Wölffer Estate Vineyard, located in the heart of the Hamptons. Savor world-class wines paired with small bites while enjoying stunning vineyard views.

Coordinate with the vineyard for a mutually agreeable date now through December 31, 2024.

ESTIMATED VALUE: \$300
DONOR: Wölffer Estate Vineyard

LOT #209

Cocktail Cruise and Dinner at the Palm Beach Yacht Club for 6



Enjoy a memorable evening with Jill Hinckley and Sandy Spaulding aboard a Hinckley Talaria 40 for a cocktail cruise in Palm Beach, guided by a private captain. Departing from the Palm Beach Yacht Club, the cruise culminates with a gourmet dinner back at the club (coat and tie required).

Coordinate with Jill and Sandy for a date that suits everyone through August 2025.

ESTIMATED VALUE: \$6,000
DONOR: Jill Hinckley and Sandy Spaulding

LOT #210

Inflatable Kayak



Explore waterways with ease in the Advanced Elements inflatable kayak, featuring a spacious cockpit and aluminum rib-frame for enhanced paddling. Includes a pump for quick setup. Ideal for your next adventure!

ESTIMATED VALUE: \$490
DONOR: Barbara and Mark Amstutz

LOT #211

Guided E-Bike Tour for 2 Guests



Enjoy a 20-mile, four-hour guided e-bike tour for two adults on Gazelle bikes along Acadia's scenic carriage roads, starting and ending at Hulls Cove Visitor Center.

Coordinate on a mutually agreed upon date for the 2024 or 2025 season.

ESTIMATED VALUE: \$325
DONOR: Marty Clark and Ross Horne and Island Time E-bike Rentals

LOT #212

Hike and Picnic for 6 with Gary Stellpflug



Enjoy a trail hike, picnic lunch and a wealth of knowledge about the trails and the park with former Acadia National Park Trails Foreman, Gary Stellpflug. This hike is for a group of up to six people.

Coordinate on a mutually agreed-upon date through August 2025.

ESTIMATE VALUE: \$500
DONOR: Gary Stellpflug

LOT #213

Carriage Road Ride for 4



Enjoy a two-hour horse-drawn carriage ride for four on Acadia's carriage roads with Acadia by Carriage, the new concessioners at Wildwood Stables. Departing from the stables, you'll explore the scenic forest, bridges, and hills of Acadia.

Coordinate a mutually agreed upon date through August 2025.

ESTIMATED VALUE: \$500
DONOR: Acadia by Carriage

LOT # 214

Tour for 4 of the Coastal Maine Botanical Gardens and Lunch at their Culinary Center Café



Explore the stunning Coastal Maine Botanical Gardens with a docent-led tour for four. Discover over 300 acres of diverse gardens, including the exquisite Rose & Perennial Garden and the enchanting Fairy House Village. Afterward, enjoy a delicious lunch at the new Culinary Center Café, complemented by a \$75 gift card for the Gardenshop.

ESTIMATED VALUE: \$350
DONOR: Amy Root, Coastal Maine Botanical Gardens

LOT #215

2 Tickets to a Boston Bruins Game



Experience the thrill of NHL action as the Boston Bruins take on the Washington Capitals on Tuesday, September 24 at 7:00 p.m. at TD Garden in Boston, MA. Enjoy prime seating for this exciting matchup!

ESTIMATED VALUE: \$400
DONOR: Laura Clark Katona

LOT #216

Wellness Package



Rejuvenate your body and mind with this luxurious wellness package combining yoga and massage. Enjoy private yoga sessions or public classes with Heather Murray, offered year-round at her beautiful studio in Bar Harbor, at the Causeway Club in Southwest Harbor during the summer, or online via Zoom. For the massage portion, indulge in a spa experience at Massage Bar Harbor, a year-round, locally owned oasis. Choose from a Himalayan salt scrub combined with a hot stone treatment, foot soak, and therapeutic head and neck massage, or book a couple's massage and some time in the infrared sauna. This package provides countless options to alleviate stress, ease pain, and nurture your well-being.

ESTIMATED VALUE: \$600
DONOR: Julie Banzhaf-Stone and Steve Stone

LOT # 301
Mallie Loring Pratt
Dancing Rocks



Showcasing the layered and kinetic style of the featured Artemis Gallery artist Mallie Loring Pratt, whose work brings landscapes like this one to life. Oil on canvas, 20" x 20", natural wood frame.

ESTIMATED VALUE: \$2,100
DONOR: Mallie Loring Pratt and Artemis Gallery

LOT # 302
Wini Smart
Blueberries by the Sea



This charming watercolor by acclaimed artist Wini Smart showcases her signature blend of sea and nature. With over 30 awards, Smart's works are celebrated for capturing the essence of coastal life. This painting is a beautiful homage to her Maine heritage and lifelong connection to the sea. Watercolor by Wini Smart framed 28 3/4" x 25".

ESTIMATED VALUE: \$4,000
DONOR: Elizabeth Seher-Thoss

LOT #303
Wini Smart
Cranberries



This delightful smaller watercolor by acclaimed artist Wini Smart captures the essence of coastal life with cranberries in a colander. Renowned for her signature blend of sea and nature, Smart's award-winning works beautifully reflect her Maine heritage and deep connection to the sea. Watercolor by Wini Smart framed 21" x 17".

ESTIMATED VALUE: \$2,500
DONOR: Elizabeth Seher-Thoss



LOT #304
Robert S. Neuman
Ship to Paradise No. 4

Robert S. Neuman's "Ship to Paradise" sets sail on an existential sea. Each medieval baroque, filled with literal skeleton crews, seeks salvation from the suffering and temptation of the mortal world. This lithograph in 13 colors measures 43.5" x 35" framed, and is signed, titled, and numbered 41/50.

ESTIMATED VALUE: \$7,000
DONOR: Sunne Savage Gallery LLC

LOT #305
William Hallett
Near Eastport



"Near Eastport" is an original acrylic painting by William Hallett, measuring 24" x 24" in a natural wood frame. Hallett, a coastal Maine resident for over twenty-five years, captures the unique beauty of the northeastern U.S. coast. His work, featured at A Little Mad Shop in Bar Harbor, showcases his sensitivity to color and contemporary style. This piece brings the unexpected perspectives and vibrant atmospheres of coastal Maine to life.

ESTIMATED VALUE: \$1,900
DONOR: Artist

LOT #306
Linda Gray
Last Ferry to Schoodic



An original painting inspired by the ferry ride to the Schoodic Peninsula from Bar Harbor. Oil on canvas, 14" x 18", framed.

ESTIMATED VALUE: \$900
DONOR: Artist

LOT #307
Marshall Ginn
Busy Day on the Water



A view of Mount Desert Island as seen from the shore between Manset and the Seawall on a sunny morning in August, including a peek at Bear Island and its lighthouse in the distance. The painting is based on a photo taken by the artist in 2022. 11" x 14" oil on canvas, framed.

ESTIMATED VALUE: \$320
DONOR: Artist

LOT #308
Lise Williams
Mountain of the First Light



The glorious view and vivid colors witnessed during a Cadillac Mountain sunrise suggests anything is possible. Acrylic on canvas, 12" x 12" framed.

ESTIMATED VALUE: \$450
DONOR: Artist

LOT #309
Donna Sebeika
Andromeda Galaxy



This stunning photograph of the Andromeda Galaxy, printed on metal, measures 16" x 24". The high-definition print beautifully captures the intricate details and vibrant colors of our nearest galactic neighbor, making it a captivating piece for any space enthusiast or art lover.

ESTIMATED VALUE: \$500
DONOR: Artist

LOT #310
Doug Wood
Rolling Island, study 6



Photographer Doug Wood is enchanted by the beauty of coastal Maine, a fact that comes through in his images. He shares moments of joy and discovery through fine art prints such as this black and white matted and framed photograph. 17" x 22".

ESTIMATED VALUE: \$450
DONOR: Artist

LOT #311
Leslie Fogg
Maine Still Life #2



Leslie Fogg's "Maine Still Life #2" is a beautiful watercolor painting that captures the serene beauty of Maine's coastline with a collection of seashore treasures, including shells, urchins, mussels, and rocks. The attention to detail and the delicate interplay of colors bring the tranquility of the seaside into your home. The framed painting measures 18 1/2" x 26".

ESTIMATED VALUE: \$1,500
DONOR: Artist

LOT #312
Claire Cushman
A Walk in the Woods



Claire Cushman's "A Walk in the Woods" captures the serene beauty of solitude in nature. This oil on canvas, measuring 24" x 24" unframed, invites quiet reflection through its depiction of the rugged chaos of the great outdoors.

ESTIMATED VALUE: \$2,000
DONOR: Artist

LOT #313
Maggie Johnston
Summer Tanager



Watercolor of a Summer Tanager on a rainy day. Matted and framed dimensions: 12" x 16".

ESTIMATED VALUE: \$500
DONOR: Artist

LOT #314
Diane Zito
Return of the Tay



Inspired by the weather events of last winter, "Return of the Tay" is an original watercolor painting by artist, Diane Zito. On January 10, 2024 an exceptionally powerful storm carried a great deal of Sand Beach out to sea uncovering the bones of the Tay, a schooner that was shipwrecked here in 1911. Only a few days later this once-in-a-lifetime image was broken apart and swept away by a second storm.

ESTIMATED VALUE: \$500
DONOR: Artist

LOT #315
Richard Huck
Turtle Bluff



This piece showcases Acadia National Park's Artist in Residence, Rick Huck. Huck's lush and detailed drawings, evoking curiosity with whimsical and sometimes apocalyptic themes. His internationally exhibited and widely published work reflects a fascination with the unexpected in everyday scenes. Medium: Colored pencil, watercolor, and graphite. Dimensions: 18" x 12". Framed dimensions: 31" x 23".

ESTIMATED VALUE: \$1,200
DONOR: Artist

LOT #316
Tony Palumbo
The Shore Path



This original digital painting of Bar Harbor's Shore Path was created exclusively for Friends of Acadia.

Designed by Tony Palumbo using illustrator, Painter and Topaz Studio, this is a one-of-a-kind piece and will not be reproduced or sold anywhere else. Framed and printed on canvas, it measures approximately 36" x 36", making it a great addition to any space.

ESTIMATED VALUE: \$1,000
DONOR: Artist

LOT # 317

Dan Kirschner
Golden Hour at Schoodic



Dramatic silhouettes of land, woods, and animal life against water, clouds and sky become evident during striking sunsets on the Schoodic Peninsula. Color print, 18" x 11"; mounted, matted, UV-plexi, black metal frame.

ESTIMATED VALUE: \$275
DONOR: Artist

LOT #318

Dan Kirschner
Seeking Passage



A sailboat in Frenchman Bay waits for the lifting of threatening clouds and clearing of weather before threading a safe passage among the Porcupine Islands. Black and white print, 30" x 8"; mounted, UV-plexi, black metal frame.

ESTIMATED VALUE: \$350
DONOR: Artist

LOT #319

Nancy Howren
Summer Kiss



"Summer Kiss" Photograph taken at Upper Hadlock Pond Image Size 13.3" x 20"; frame size 26" x 19". Double matted, UV plexi.

ESTIMATED VALUE: \$650
DONOR: Artist

LOT #320

Diana Roper McDowell
Sunday Sailing

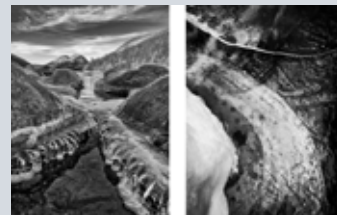


Diana Roper McDowell's watercolor painting, "Abstract Realism," blends abstraction and realism seamlessly. Her work explores the interplay of realistic outlines with abstract shapes of color, guided by emotion rather than intellect. This piece measures 16" x 22" and is framed to 27" x 32".

ESTIMATED VALUE: \$1,750
DONOR: Artist

LOT #321

Howie Motenko
Untitled 4



A response to the Japanese philosophy of Godai, this black and white archival print by former Acadia National Park Artist-in-Residence Howie Motenko explores the elements of earth, water, fire, wind, and void. Part of his "Acadia Impressions" series, this limited-edition print (3 of 5) is hand-signed and numbered on the back. The piece measures 24" x 31"; comes unmatted with a presentation hanger, and reflects over ten years of Motenko's dedication to capturing the essence of Acadia.

ESTIMATED VALUE: \$750
DONOR: Artist

LOT #322

Ed Monnelly
Frosted Winterberry and Tamarack, Big Heath



Long-time auction donor and artist Ed Monnelly presents his digital photograph, "Frosted Winterberry and Tamarack, Big Heath." This captivating piece is framed in a Nielsen German Silver frame, measuring 24" x 30".

ESTIMATED VALUE: \$475
DONOR: Artist

**LOT #401
Maggie Kelley Pearls**



Words can't describe the classic elegance of this one-of-a-kind bracelet, the bezel-set Azurite-Malachite embodies the colors of Acadia. Made with 14k gold 7 mm pearls. Fabricated in Southwest Harbor by Three Pines Fine Jewelry and Maggie Kelley Pearls. *Bracelet will be restrung to fit recipient.

ESTIMATED VALUE: \$4,500
DONOR: Maggie Kelley and Three Pines Fine Jewelry

**LOT #402
Lisa Hall Bracelet**



"Colors of Acadia" come to life in this natural sea glass bracelet set in sterling silver by Lisa Hall. Made especially for our Friends of Acadia 35th Annual Benefit & Auction. Natural sea glass bracelet in sterling silver.

ESTIMATED VALUE: \$1,100
DONOR: Lisa Hall

**LOT #403
Monica Davis Ring**



Monica Davis presents a stunning mabe pearl ring, elegantly set in an 18k hammered sterling silver band. As an artist from the renowned Lisa Hall Studio, Monica's work reflects a blend of traditional craftsmanship and contemporary design, making this piece a true statement of elegance and artistry.

ESTIMATED VALUE: \$500
DONOR: Monica Davis

**LOT #404
Julie Havener Designs**



Experience the unique craftsmanship of Julie Havener Designs with these stunning 18k earrings, featuring a vibrant watermelon tourmaline complemented by a sparkling diamond. Julie's artistry transforms natural gemstones into wearable works of art, capturing the essence of elegance and creativity in every piece. These exquisite earrings are a testament to her talent and dedication to fine jewelry design.

ESTIMATED VALUE: \$950
DONOR: Julie Havener

**LOT #405
Kaleidoscope Elegance,
Necklace and Earring Set**



This vibrant and eye-catching jewelry set, aptly named "Kaleidoscope Elegance," features a striking necklace and matching earrings. Each piece showcases a stunning array of multicolored square beads, meticulously arranged to create a mesmerizing pattern that captures the essence of playful sophistication. The necklace, with its bold and colorful design, is complemented by the equally captivating earrings, making this set a true statement piece. Perfect for adding a splash of color to any outfit, this set is a celebration of artistic craftsmanship and unique style.

ESTIMATED VALUE: \$250
DONOR: Ann Fenno

LOT #406

Diamond Hoop Earrings



These exquisite diamond hoop earrings are crafted in 14k yellow gold, featuring 14 graduated- size diamonds in each earring. Their elegant design and sparkling diamonds make them timeless accessory, perfect for any occasion. Elevate your jewelry collection with this classic and sophisticated pair.

ESTIMATED VALUE: \$800

DONOR: Kim Wentworth

LOT #407

Elegant Necklace



Discovered in a charming Parisian boutique, this exquisite one-of-a-kind necklace features a coral-like pendant with a gold-toned cap, accented by pearls and agate beads. A unique blend of elegance and earthy charm.

ESTIMATED VALUE: \$225

DONOR: Ann Fenno

LOT #408

Island Summer Needlepoint and Leather Belt



Custom made for Swallowfield by Smathers and Branson (which is co-owned by Peter Carter, the brother of Swallowfield shop owner Jennifer Judd-McGee), the Island Summer Needlepoint and Leather Belt is an iconic accessory for everyone. Beautifully hand-stitched, with full grain Italian leather and solid brass hardware makes this belt a lasting investment. Size 36*

*Can be exchanged for the correct size of the winning bidder.

ESTIMATED VALUE: \$190

DONOR: Jennifer Judd-McGee,
Swallowfield

LOT #409

Valentino Handbag



Elegant handbags and accessories crafted in Italy by Riverside Leather. Design features include gold-tone hardware and logo detailing. Interior details include fabric lining and interior pockets. Dimensions: 9" x 6.25" x 3.5". Includes adjustable and removable shoulder strap.

ESTIMATED VALUE: \$750

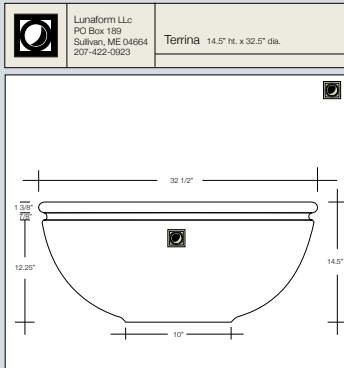
DONOR: Linda Lynn Levy



Birch trees line a path near Sieur de Monts, photo by Ashley L. Conti.

LOT #501

Lunaform Pot



Terrina-style pot custom designed by Lunaform studio in Maine. A steel reinforced concrete bowl. Roman red in color in a plate texture finish. Dimensions: 32- 1/2" x 14- 1/2" x 10".

ESTIMATED VALUE: \$1,260

DONOR: Dan Farrenkopf and Lunaform

LOT #502

Custom-Designed Stair Runner

One-of-a-kind opportunity to own a runner designed by Laura Pierce, owner of Keeler & Company & Rusticator. Inspired by traditional interiors infused with fresh perspective, this runner is a floral composition that speaks to sense of place. Depicting flowers native to Maine and commonly found on MDI, look closely and you'll notice a shift in texture and material between the ground and the flowers themselves - almost as if layered within the rug itself. Dimensions: 3'6" x 11'6".



ESTIMATED VALUE:

\$10,000

DONOR: Matt Pierce and Colin Keeler

LOT #503

Custom Pillow



A bespoke pair of Brunschwig and Fils down- and feather-stuffed pillows backed with celadon green linen. 18" square.

ESTIMATED VALUE: \$550

DONOR: Steven Horsch

LOT #504

Summer Visitors Quilt



This quilted throw measures 54" x 62" and is made of 100% cotton fabrics in a rich palette of teal, purple, rust, and gold. It was designed and pieced by the donor and professionally quilted by Myrna Ficken.

ESTIMATED VALUE: \$1,200

DONOR: Mary Moore Clark

LOT #505

Mars Trilogy



This collection features signed copies of the *Mars* trilogy, a renowned series of science fiction novels by Kim Stanley Robinson. The trilogy chronicles the settlement and terraforming of Mars through the perspectives of diverse characters across nearly two centuries. With a focus more on utopian ideals than dystopian futures, the narrative explores egalitarianism, sociological advancements, and scientific breakthroughs on Mars, set against Earth's struggles with overpopulation and ecological crises.

ESTIMATED VALUE: \$500

DONOR: Kim Stanley Robinson

LOT #506

Christopher Hyland Custom Pillows



A pair of 18" pillows made from one of luxury fabric house Christopher Hyland Inc's most beloved and complex-to-weave fabrics.

ESTIMATED VALUE: \$1,280

DONOR: Christopher Hyland Inc.

LOT #601

Design Your Own Dress Experience



Enjoy an exclusive custom design experience with renowned designer Lesea Berry, where you have the chance to create your own custom dress using exquisite silhouettes and luxurious fabrics. The experience includes a personal consultation with Lesea Berry to tailor every detail to your unique style, whether you envision a timeless classic or a daring statement piece. Choose from a curated selection of elegant ball gowns to sleek cocktail dresses, and indulge in luxurious fabrics sourced from around the globe, including decadent silks and delicate lace. Expert New York-based artisans will meticulously handcraft your dress with precision and care, ensuring impeccable quality. The experience culminates in a glamorous final fitting session, where you'll see your vision come to life.

ESTIMATED VALUE: \$2,500-\$3,000
DONOR: Lesea Berry

LOT #602

2 Tickets to a Sold-Out Lake Street Dive Show!



On Saturday, August 17th, you'll experience the magic of Lake Street Dive, a band known for their eclectic sound and unifying force in pop music. These two tickets grant you access to the sold-out show at Thompson Point. Revel in the vibrant blend of soul, folk, jazz, and classic pop. Don't miss this chance to see Lake Street Dive perform songs from their new album, "Good Together," and be part of an unforgettable night.

ESTIMATED VALUE: \$300
DONOR: Duffy McSwiggin, Wasserman Agency, and the State Theater in Portland

LOT #603

Maine Beach Stone Bracelet & Earring Set



This Sterling Silver bracelet and earrings set includes an unpolished bezel-set beach stone from the Bass Harbor shoreline.

ESTIMATED VALUE: \$230
DONOR: Rick Malmstrom Jewelry

LOT #604

Adventure at Terramor for up to 5 Guests for 2 nights



Terramor Outdoor Resort is a thoughtful retreat committed to authentic, immersive experiences in nature. As their guests, you and up to four others will be treated to the romance of a camping adventure blended with the amenities of a resort. The tents have it all including one king bed and a bunk bed with a double on the bottom and a twin on top. Perfect for a couple's getaway or a family adventure. The package includes breakfast each morning, a Terramor blanket, and the opportunity to relax, restore, and reenergize with the Terramor Signature Massage.

Available on mutually agreed upon dates, based on availability.

ESTIMATED VALUE: \$2,500
DONOR: Terramor Outdoor Resort

ABSENTEE BID INSTRUCTIONS

If you are unable to join us under the tent but are interested in bidding on any of the auction items included in this catalog, you may participate by submitting an Absentee Bid.

TO SUBMIT AN ABSENTEE BID

1. Log into one.bidpal.net/acadia35/ticketing and scroll down to the option for "Absentee Bidder." Select "1" and Next. Create your account – enter your contact information, your credit card, and the \$1.00 online processing fee for submitting an absentee bid. This is the most secure way to submit your credit card information and ensure your absentee bid is accounted for.

2. Once your online account is created, a Friends of Acadia staff member will send you the Absentee Bid form link to fill in the rest of your bid information, including which item you are interested in and your bidding amount.
3. If you are the winning bidder on an item, you will be contacted by a Friends of Acadia staff member to discuss the best way to retrieve your item and whether to use your credit card on file or a different payment method.

Please read our Absentee Bid Form Terms & Conditions before submitting your Absentee Bid.

TERMS AND CONDITIONS

For the item I have requested on the Absentee Bid form up to the price I have listed. Live Auction bids are to be executed at the lowest possible price permitted by other bids or reserves. Silent Auction bids will be considered the bid of record at the beginning of the Silent Auction.

Bids are held in strict confidence.

All bids are subject to the following terms and provisions:

- Descriptions of the items have been made with every reasonable effort to describe each one correctly, but all items are sold "where is" and "as is" and without warranty or representation of any kind as to correct description, genuineness, authenticity, quality, or fitness for any purpose.
- Images in this catalog may be for illustration only. For space considerations, most artwork is shown without frames.
- All auction items and services must be used within the time limits stated in the catalog or at the time of auction and are subject to the terms and conditions stipulated by the donors. Cruises, dinners, and trips must be arranged directly with the donors at a mutually convenient date and are subject to availability. Winning bidders are expected to take special care with the property of private donors.
- All items have been donated to the Friends of Acadia Benefit and Auction and are sold by it, not by the donors. Purchasers may not ask for refunds

or exchanges from the donor. All items are non-transferable.

- "Buy" bids are not accepted. The limit you leave should be the amount to which you would bid if you were to attend.
- Please bid as early as possible. In the event of duplicate bids, the earliest bid take priority.
- All auction items purchased are subject to shipping charges, if applicable, for which the successful bidder is responsible.

LIVE AUCTION

- All absentee bids submitted via the proper channels are binding.
- Payment by the successful bidder must be made immediately following the auction.
- Descriptions of the items have been made with every reasonable effort to describe each one correctly, but all items are sold "where is" and "as is" and without warranty or representation of any kind as to the correctness of description, genuineness, authenticity, quality, or fitness for any purpose. Friends of Acadia (FOA) does not assume any liability for the authenticity, or the authorship of any property offered. Any questions should be directed to FOA and not to the donor.
- All auction items and services must be used within the time limits stated in the catalog or at the time of auction and are subject to the terms and conditions

AUCTION TERMS AND CONDITIONS

stipulated by the donors. Cruises, dinners, and trips must be arranged directly with the donors at a mutually convenient date and are subject to availability. Winning bidders are expected to take special care with the property of private donors.

- The auctioneer shall determine the winning bidder and may reopen the bidding at her discretion in the case of a discrepancy. If the auctioneer determines that any opening bid is not commensurate with the value of the item offered, she may reject the same and withdraw the article from sale.
- All items have been donated to the Friends of Acadia Benefit Auction and are sold by it and not by the donors. Purchasers may not ask for refunds or exchanges from the donor.
- All items are non-transferable.

SILENT AUCTION

- The Silent Auction will begin at 6:00 pm. Items will be available for viewing and bidding in the Auction tent until 7:30 pm. Bid sheets will be collected promptly at 7:30 pm.
- Silent Auction bids are to be made by placing your sticker, which includes your bid number, on the bid sheet next to the amount you indicated on your Absentee Bid form.
- The highest bidder on any item becomes the purchaser of such item at the full amount of his/her successful bid.
- BUY IT NOW: Select silent auction items may have a "Buy It Now" option. The first bidder to exercise this bid becomes the purchaser of that item.

- Descriptions of the items have been made with every reasonable effort to describe each correctly, but all items are sold "where is" and "as is" and without warranty or representation of any kind as to the correctness of description, genuineness, authenticity, quality, or fitness for any purpose.
- All auction items and services must be used within the time limits specifically stated in the catalog and are subject to the terms and conditions stipulated by the donors.
- All items have been donated to the Friends of Acadia Benefit Auction and are sold by it and not by the donors. Purchasers may not ask for refunds from the donor. Exchanges may be made only where specified.
- All items must be paid for and made arrangements for pick up at a mutually agreed upon time. Bids are binding; sales are final.

PAYMENT AND TERMS

We accept cash, checks, American Express, VISA, and MasterCard. Please make checks payable to Friends of Acadia. No items can be released without payment. Any items left on premises the night of the benefit must be picked up between 8:30-11:00 m on Sunday, August 11, 2024, at the auction tent at Cover Farm. If you are placing an absentee bid you must make arrangements to claim your item by Monday, August 12, 2024.

QUESTIONS?

Please call Friends of Acadia with any questions at (207) 288-3340.



GRIFFIN & GRIFFIN
EVENT DESIGN ILLUMINATED®

BUSINESS PARTNERS

Thank you to the many businesses that have generously sponsored the 35th Annual Friends of Acadia Benefit. Please support our sponsors.

PRESENTING SPONSOR

Chilton Trust Company
chiltontrustcompany.com

AUCTION SPONSOR

Interactive Brokers
interactivebrokers.com

PADDLE RAISE SPONSOR

Wallace Events
wallaceevents.com

ENTERTAINMENT SPONSOR

Goldman Sachs
goldmansachs.com

MEDIA SPONSOR

Maine Home+Design
mainehomedesign.com

ACADIA MOUNTAIN LEVEL

Cool As A Moose
coolasamoose.com

Griffin & Griffin Lighting
griffingriffinlighting.com

New York Puzzle Company
newyorkpuzzlecompany.com

CHAMPLAIN MOUNTAIN LEVEL

Exclusive Yachts
exclusiveyachts.club

Atlantic Landscape Construction Company
atlanticlandscapeconstruction.com

William Blair
williamblair.com

SARGEANT MOUNTAIN LEVEL

EL Shea
elshea.com

FIORE Artisan Olive Oils & Vinegars
fioreoliveoils.com

Hodgdon Yachts
hodgdonyachts.com

Trenton Bridge Lobster Pound
trentonbridgelobster.com

PEMETIC MOUNTAIN LEVEL

Bar Harbor Wealth Management
barharbor.bank

The Jackson Laboratory
jax.org

MDI Grows Landscape Services
mdigrows.com

BEECH MOUNTAIN LEVEL

Acadia Bike & Coastal Kayaking Tours
Acadia Park Company - The Acadia Shops

Asticou Inn

Bangor Savings Bank

Bar Harbor Bank & Trust

Bar Harbor Hospitality Group -

A Division of Witham Family Hotels

Bar Harbor Savings & Loan

Beal's Lobster Pier

The Bluenose Inn

Burdick & Associates Landscape Design

Dead River Company

Galyn's Restaurant

John Williams Boat Company

Jordon Pond House - ExplorUS

Machias Savings Bank

Mount Desert Island Hospital

Orono Brewing Company

West Bay Acadia RV Campground

Window Panes



Cool As A Moose®



A MAINE OWNED FAMILY OF SHOPS

SPECIAL THANKS

WE ARE MAINE'S
HIGHFIELD BOATS DEALER



Highfield Boats is the world's number one in the RIB tender sector. Offering boats from 6 to 26-feet, built with performance and strength in mind.

207.266.3200 • sandy@hodgdonyachts.com
hodgdonyachtservices.com • highfieldnorthamerica.com



OLIVE OIL &
BALSAMIC VINEGAR
TASTING ROOMS

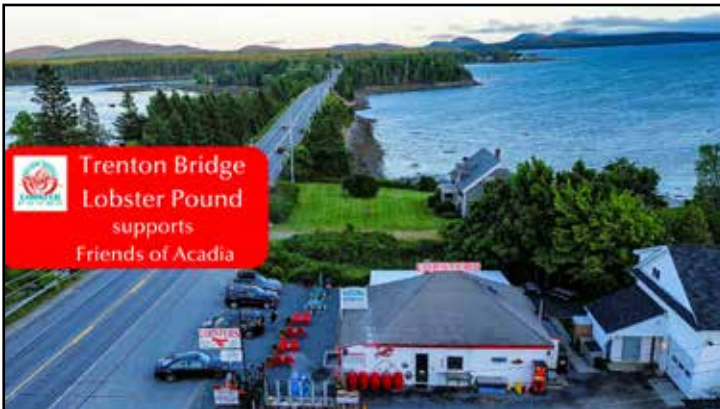
Come In And Taste For Yourself

BAR HARBOR FREEPORT ROCKLAND

207.801.2580 | FIOREoliveoils.com | info@FIOREoliveoils.com



207-664-0091 | mdigrows.com | info@mdigrows.com



Let us guide you through life's financial events.



888-675-5244
www.barharborwealth.com

Bar Harbor Wealth Management is a subsidiary of Bar Harbor Bank & Trust. Investment products are not deposits or obligations of the Bank, are not FDIC insured, are not guaranteed by the Bank and are subject to investment risk, including possible loss of value or principal amount invested.



Proud to Support
Friends of Acadia



SPECIAL THANKS



EXCLUSIVE
YACHTS™

DIVERSE FLEET | DEDICATED CONCIERGE
GLOBAL DESTINATIONS | LOWER COSTS
ZERO HEADACHES



this is
YACHTING. SMARTER.



Unforgettable Experiences with the World's Most
Innovative Yachting Membership Club.



jill HINCKLEY

CONTACT: JILL@EXCLUSIVEYACHTS.CLUB



JOIN US FOR MEMBERS-ONLY YACHTING EXPERIENCES | SOUTH FLORIDA, THE HAMPTONS, NEW ENGLAND, THE CARIBBEAN & BEYOND.

THE PREMIER
PROFESSIONAL
LANDSCAPE
CONSTRUCTION
COMPANY FOR
DOWNEAST AND
MIDCOAST MAINE



ATLANTIC
LANDSCAPE
CONSTRUCTION

**814 BANGOR ROAD
ELLSWORTH, MAINE**



207.664.2600

ATLANTICLANDSCAPECONSTRUCTION.COM



Invested in our community

We are proud to support Friends of Acadia and its annual benefit to support initiatives that protect Acadia's natural resources. Your commitment to preserving the environment for over three decades is an inspiration to us all.

William Blair

williamblair.com

SPECIAL THANKS

WITH GREAT APPRECIATION TO OUR
PRESENTING SPONSOR CHILTON TRUST
AND OUR OTHER LEAD SPONSORS!

CHILTON TRUST



We are proud sponsors of Friends of Acadia, an organization dedicated to preserving the natural beauty and ecological integrity of Acadia National Park.

Join us in supporting their mission to protect this cherished landscape for future generations.

ibkr.com

The best-informed investors choose Interactive Brokers

A photograph of a stage event with a large 'WALLACE EVENTS' logo and a crowd of people with their hands raised. The scene is lit with red and white lights.

WALLACE EVENTS

LET'S GET THIS PARTY STARTED

TENTS TABLES & CHAIRS LINENS DISHWARE
GLASSWARE DANCE FLOOR BAND STAGES SOUND EQUIPMENT
LIGHTING EVENT POWER CATERING EQUIPMENT

(207) 667-6000 WALLACEEVENTS.COM

Goldman Sachs is
proud to support
Friends of Acadia

**Goldman
Sachs**

FRIENDS OF ACADIA

P.O. Box 45

Bar Harbor, Maine 04609

207-288-3340

toll-free 800-625-0321

info@friendsofacadia.org

friendsofacadia.org



CHILTON
TRUST

From all of us at Friends of Acadia, we would like to share our gratitude for Chilton Trust, our top corporate Benefit Sponsor for eleven consecutive years.

